

Outdoor Advertising Roadway Signs



Specifications



- HOUSING** The housing is die-cast from aluminum alloy and when finished meets UL marine requirements. The housing has integrally-cast hinge pins for the lens door. Knock-outs are provided for mounting bolt arrangements and the connection of conduit. The fixture is weather-resistant, UL-listed "suitable for wet locations," and meets UL1572 Rain Test Requirements.
- LENS AND DOOR** Standard lens is of thermal and shock-resistant clear tempered clear glass. A flat lens is used on the SignMaster™ and a convex lens is used on the PanelMaster™. Lens door is die-cast from aluminum alloy. Door has tool-less entry with quick release latches, allowing fast, easy access for re-lamping and maintenance. The lens door has integrally-cast hinges. Lens is sealed to the door with silicone, and is held in place with clips.
- REFLECTOR SYSTEM** The fixtures feature a complex hydroformed aluminum reflector, computer-designed to provide maximum lighting uniformity. The entire optical system is fully-enclosed to keep out dust, moisture, and insects. All photometric performance data is determined using the actual lamp / reflector combination required and is certified by an independent testing laboratory.
- GASKETING** The lens door is completely gasketed to the housing with tubular silicone foam gasketing, secured in a groove in the lens door.
- BALLAST** All standard ballasts are CWA or HX-HPF type with power factor of 90% and are mounted to a easily removable ballast tray. Optional ballasts, both internally and externally-mounted, are available. . . consult factory for details.
- FINISH** A light gray baked powder coat paint is standard. Optional finishes are also available. All finishes meet or exceed all AAMA requirements for 1,000 hour salt spray exposure.
- AUTOMATIC SAFETY DISCONNECT SWITCH** Standard on units up to 277V. Automatically disconnects power to the ballast when the door is opened. The 480V fixture is supplied with a removable cover over the ballast compartment.

| |
|---------------------|
| PROJECT |
| FIXTURE TYPE |
| CATALOG# |

Metrolux
 2930 South Fairview Street
 Santa Ana, CA 92704
 Phone (714) 371-2394 • FAX (714) 668-1107
 Toll Free Phone (800) 545-1326
 e-mail: sales@metrolux.com • www.metrolux.com

SI-17 SignMaster™

PA-17 PanelMaster™

Ordering Example:

PA-17 W - MH400 - 240 - LG - FDFD - SFWG
 1 2 3 4 5 6

1. Luminaire & Distribution

- PA-17 PanelMaster™ W Wide Throw
 SI-17 SignMaster™ F Forward Throw

2. Lamp Type & Wattage (All lamps are mogul base)

- HPS 100 HPS150* HPS 400
 HPS200 HPS250
 MV100 MV175
 MV250 MV400
 MH150 MH175 MH320 PS MH400 PS
 MH250 MH400 MH350 PS

* 55 Volt lamp standard on HPS.

For MH Pulse Start System-add "MHP" suffix to catalog number. Price adder for up to 400W max.

3. Ballast Voltage

- 120 208 Note: Multi-tap ballasts provided.
 240 277
 347 480

4. Electrical Options

- FD Single Fusing - 120V/277V
 FDC Single Fusing - 347V
 FDD Double Fusing - 480V
 FDFD Double Fusing - 208V/240V
 TB Terminal Block

5. Other Options

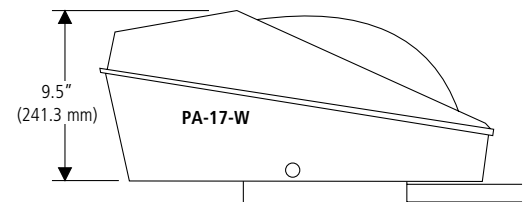
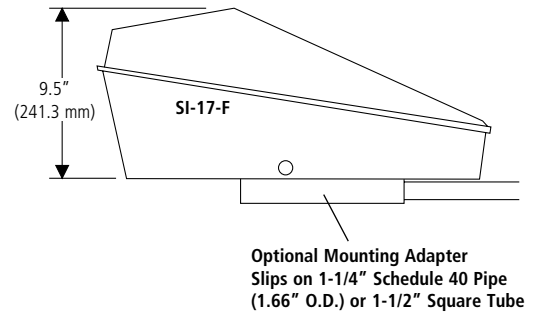
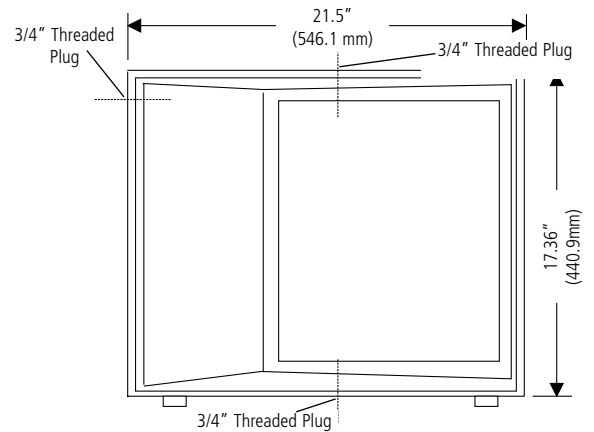
- SF Slip Fitter (Slips over 1-1/4" Schedule 40 pipe arm or 1-1/2" square tube)
 WG Wire Lens Guard LMP Lamp factory-Installed
 TM Top Mounting TPS Tamper Proof Screws
 EMQZ Emergency Quartz Restrike
 IRS Instant Restrike Starter (HPS HX-HPF) up to 150W max

COLOR CHOICES

FINISH



Dimensions



Weight: 35.5 lbs. (16.1 kg.)

Knock-outs for Mounting Holes
 (11/32" holes for 5/16" bolts)

