

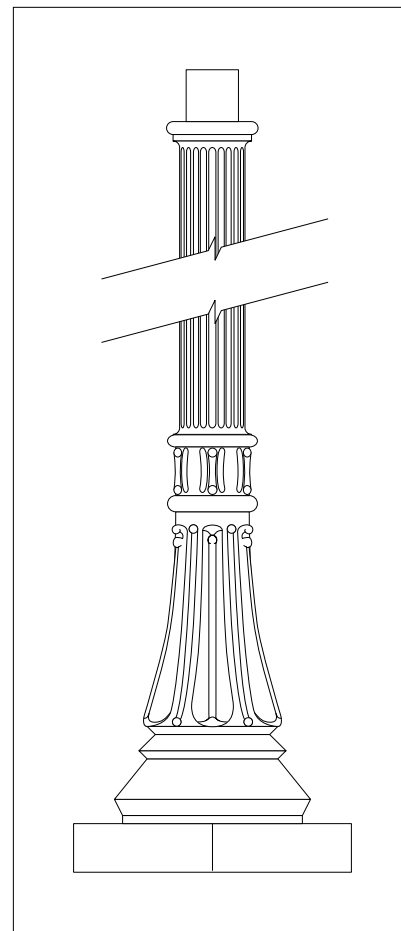
PROJECT
FIXTURE TYPE
CATALOG#

Due to a program of continuous improvement, Metrolux reserves the right to make any variation in design or construction to the equipment described.

© 2005 - 2008 Metrolux. All rights reserved.
 Metrolux is a registered trademark of Philips.

Specifications

- Description** The lighting post shall be all aluminum, one piece construction, with a fluted or smooth shaft and a classic, double tapered and fluted base.
- Materials** The base material shall be heavy wall cast aluminum, formed true to the pattern with complete detail. The shaft material shall be fluted, extruded aluminum. A smooth shaft is also available. All hardware shall be tamper resistant stainless steel. Anchor bolts to be hot dipped galvanized.
- Dimensions** The post shall be X'-XX" in height with a 17-5/8" diameter base. The post shaft shall have a 4" outside diameter with a 3" tenon at the top for luminaire mounting. Fluted shaft available in 0.187" wall thickness. Smooth shaft available in 0.187" or .25" wall thicknesses. The base shall have a height of 29".
- Installation** The post shall be provided with four 5/8" diameter by 18" long L-type anchor bolts to be installed on a 11-1/4" bolt circle. An access door shall be provided in the base for securing anchor bolts and wiring access. A grounding screw shall be provided inside the base opposite the door for easy access.
- Finish** BK-BZ-WH-GR-GY-NA baked enamel standard, other colors available or powder coat optional. Prime painted (PP) posts are also available.



Dimensions

Model	Base Dia.	Base Height	Weight
RCA-34	17"	29"	52#

Product Order Guide

Series	Base Size	Mounting Height	Shaft	Finish	Option
RCA-34	17	14	S Smooth	BK Black	PC Powder Coat
		12	F Fluted	BZ Bronze	GFIB Provision duplex receptacle in base
		10		WH White	GFIP Provision duplex receptacle in post
		8		GR Green	T2 Tenon 2-3/8"
				NA Natural Alum	T# Specify Tenon size
				GY Gray	
				CC Custom Color	
		PP Prime Painted			

Example: RCA-34-17-12-F-BK-PC-T2

