

Shopping Malls
Walkways
Building Entrances
Parking Lots



Specifications



- DESCRIPTION** The luminaire shall be cast aluminum construction, with a floral pattern, a globe holder with integral enclosed ballast housing, and a decorative one piece globe with an 8" neck. The luminaire base shall measure 10-1/4" in height and 4-3/4" diameter at the bottom.
- MATERIALS** The luminaire base and ballast housing shall be heavy wall cast aluminum formed true to the pattern with complete detail. Globe material shall be clear (standard) or white, textured polycarbonate. All hardware shall be stainless steel. All exterior hardware shall be tamper resistant.
- INSTALLATION** The luminaire shall mount on a 3" O.D. tenon with six 1/4" dia. socket set screws. The globe shall be secured to the luminaire by four 1/4" dia. socket set screws. The ballast and socket assembly shall be furnished with a quick disconnect plug and mount on a removable ballast plate. The ballast plate shall be removed by loosening two screws. A strain relief shall be provided in the luminaire below the quick disconnect plug to hold post wires in place.
- FINISH** BK-DB-WH-GR-GY-SL baked enamel standard, other colors available.
- LIGHT SOURCE** Luminaires shall be furnished with either an H.I.D. ballast and socket assembly or an incandescent socket. Sockets shall be glazed porcelain mogul or medium base, with a copper alloy nickel plated screw shell and center contact. Ballast shall be core and coil, high power factor, regulating type.

PROJECT
FIXTURE TYPE
CATALOG#

Metrolux
 2930 South Fairview Street
 Santa Ana, CA 92704
 Phone (714) 371-2394 • FAX (714) 668-1107 • Toll Free Phone (800) 545-1326
 e-mail: sales@metrolux.com • www.metrolux.com

AC8

DISTRIBUTIONS

ORDERING EXAMPLE AC8-V-HPS-150-BK-120-ED-17-FD-CLF5

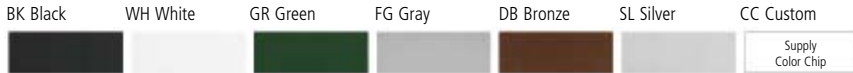
MH = Std. Metal Halide
 MHP = Pulse Start

DESIGN	DISTRIBUTION	HPS	MH/MHP	LAMP
AC8	V	70/100/150/250	70/100/150/175/250	ED-17 ¹ ED-28

1. Lamps up to 175 are medium base.

REQUIRED CHOICES

FINISH



VOLTAGES

- 120
- 208
- 240
- 277
- 347

OPTIONAL CHOICES

ELECTRICAL OPTIONS

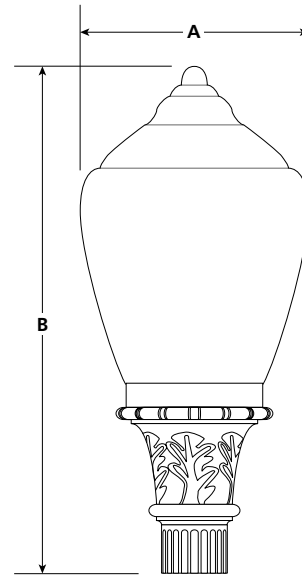
- FD Single Fusing 120V/277V
- FDFD Double Fusing 208V/240V
- FDC Single Fusing 347V
- PCB Photo Cell Button Type

OPTICAL OPTIONS

- CLF5 Type 5 Refractor
- CLF3 Type 3 Refractor

LIGHT TRESPASS OPTION

- HSS 120° Rotatable Cut-off Shield (House Side)



DIMENSIONS
 A 15" dia.
 B 35"

WEIGHT
 20 lbs. (34 kgs)

EFFECTIVE PROJECTED AREA (EPA)
 1 Fixture 1.35 sq. ft.