

**Parking Areas**  
**Building Entrances**  
**Pedestrian Walkways**  
**Shopping Malls**  
**Large Areas**



## Specifications



- HOUSING** Each domed top, reinforced housing shall be constructed of heavy gage spun aluminum. The fixture is C-UL & UL listed "suitable for wet locations".
- LENS FRAME** The heavy-duty cast aluminum lens frame shall be hinged to the housing with twin stainless steel hinges.
- LENS** The flat or convex thermal and shock resistant glass lens is sealed to the lens frame and secured with retainer clips.
- LENS AND GASKETING** The lens is gasketed to the lens frame with extruded butyl acrylic tape sealant. The lens frame is gasketed to the housing's internal reinforcing ring with silicone-impregnated Dacron gasketing.
- INSTALLATION** Design 140 fixtures are supplied with a yoke assembly allowing the fixture to be tilted 45° to permit easy access to the reflector compartment for re-lamping, or to the ballast compartment for service. Tenon adapter bracket (TPH) is available for mounting to poles with existing tenons.
- REFLECTOR** Design 140 shall be available with the following reflector systems: 1) Type VS (29" only) - square distribution, vertical lamp, 16-panel reflector; 2) Type VR (25" & 29" only) - rectangular distribution, vertical lamp, 6 or 10-panel reflector; 3) Type 3 - asymmetrical distribution; 4) Type V (20" only) - symmetrical distribution, 5) Type F - Forward Throw
- BALLAST** All ballasts are CWA or HX-HPF type with power factor of 90% and are easily removed and supplied with quick disconnects. Ballasts are rated for -20°F. or -40°F. operation.
- FINISH** Polyester powder coat, electrostatically applied, which is preceded by a five step pre-treatment process including an iron phosphate priming stage for superior coating adhesion. This process meets or exceeds all ASTM testing requirements, including those for 1,000 - hour salt spray endurance testing.

|                     |
|---------------------|
| <b>PROJECT</b>      |
| <b>FIXTURE TYPE</b> |
| <b>CATALOG#</b>     |

Metrolux  
 2930 South Fairview Street  
 Santa Ana, CA 92704  
 Phone (714) 371-2394 • FAX (714) 668-1107 • Toll Free Phone (800) 545-1326  
 e-mail: sales@metrolux.com • www.metrolux.com

**DISTRIBUTIONS**

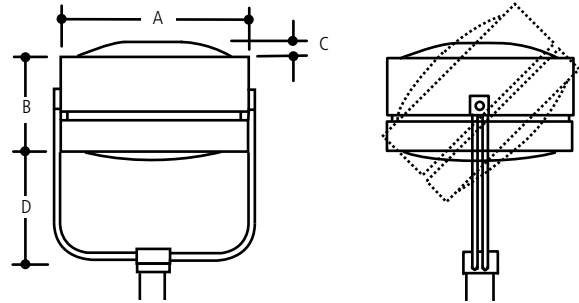
TYPE VS Square (Vert. Lamp)  
 TYPE VR Rectangular (Vert. Lamp)  
 TYPE 3 Asymmetrical (Horiz. Lamp)  
 TYPE V Symmetrical (Vert. Lamp)  
 TYPE F Forward Throw (Horiz. Lamp)

**ORDERING EXAMPLE** 140-25-VR-HPS-400-CL-DB-120-MP-FD-CL80x360

MH = Std. Metal Halide  
 MHP = Pulse Start  
 CL = Convex glass lens  
 FL = Flat glass lens

| DESIGN | DISTRIBUTION | HPS            | H/MHP    | LAMP     | LENS     |
|--------|--------------|----------------|----------|----------|----------|
| 140-20 | 3            | 100/150        | 100/150  | ED-17    | FL       |
|        | V            | 100/150        | 100/150  | ED-17    | FL       |
|        | F            | 100/150        | 100/150  | ED-17    | FL       |
| 140-25 | VR/VS        | 250/400        |          | ED-18    | CL or FL |
|        | VR/VS        |                | 250      | ED-28    | CL or FL |
|        | VR/VS        |                | 400/450* | ED-37    | CL or FL |
|        | VR/VS        | 750            |          | BT-37    | CL or FL |
|        | 3/F          | 250/400        |          | ED-18    | FL       |
| 140-29 | 3/F          | 750            | 250/400  | ED-28/37 | FL       |
|        | 3/F          | 1000           |          | BT-37    | FL       |
|        | 3/F          | 750            |          | ED-18    | FL       |
| 140-29 | VR/VS        | 400            |          | ED-18    | CL or FL |
|        | VR/VS        | 750            |          | BT-37    | CL or FL |
|        | VR/VS        | 1000           |          | E-25     | CL       |
|        | VR/VS        | 1000 Flat Lens |          | ED-37    | FL       |
|        | VR/VS        | 400            |          | ED-37    | CL or FL |
|        | VR/VS        | 1000           |          | BT-56    | CL       |
| 140-29 | 3/F          | 400            |          | ED-18    | FL       |
|        | 3/F          | 750            |          | BT-37    | FL       |
|        | 3/F          | 1000           |          | E-25     | FL       |
|        | 3/F          | 400            |          | ED-37    | FL       |
|        | 3/F          | 1000           |          | BT-56    | FL       |

\* Available only in Pulse Start 100,150, 200, 450 MHP = Pulse Start



**DIMENSIONS**

|   | 20"                     | 25"                     | 29"                       |
|---|-------------------------|-------------------------|---------------------------|
| A | 20.00" dia.<br>(508 mm) | 25.00" dia.<br>(635 mm) | 29.00" dia.<br>(736.6 mm) |
| B | 10.75"<br>(273 mm)      | 10.00"<br>(254 mm)      | 10.00"<br>(254 mm)        |
| C | 3.25"<br>(82 mm)        | 3.50"<br>(89 mm)        | 4.70"<br>(119 mm)         |
| D | 12.75"<br>(323 mm)      | 14.50"<br>(368 mm)      | 19.0"<br>(482 mm)         |

**EFFECTIVE PROJECTED AREA (EPA)**

| 20"                  | 25"                  | 29"                  |
|----------------------|----------------------|----------------------|
| 1.60 sq. ft. (.15M2) | 2.20 sq. ft. (.21M2) | 2.86 sq. ft. (.27M2) |

**WEIGHT**

| 20"                | 25"                | 29"                |
|--------------------|--------------------|--------------------|
| 40 lbs. (18.8 kgs) | 63 lbs. (28.6 kgs) | 79 lbs. (35.9 kgs) |

**REQUIRED CHOICES**

**FINISH**



**VOLTAGES MOUNTINGS**

|     |     |  |
|-----|-----|--|
| 120 | TPH | Tenon Adapter plate                      |
| 208 |     | (Slipfits 2-3/8" to 2-7/8" Pipe Tenon)   |
| 240 | MP  | Mounting Plate (Weld to pole) see detail |
| 277 |     |  |
| 347 |     |  |
| 480 |     |  |

**OPTIONAL CHOICES**

**ELECTRICAL OPTIONS**

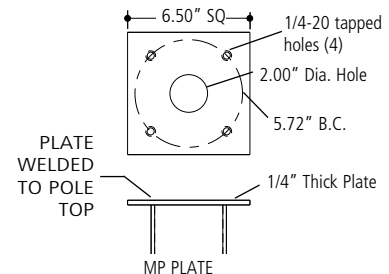
|      |                           |
|------|---------------------------|
| FD   | Single Fusing 120V/277V   |
| FDD  | Double Fusing 480V        |
| DFD  | Double Fusing 208V/240V   |
| FDC  | Single Fusing 347V        |
| PCT  | Photo Cell and Receptacle |
| EQMZ | Emergency Quartz Restrike |

**OPTICAL OPTIONS**

|    |                             |
|----|-----------------------------|
| LX | Vandal Resistant Lens       |
|    | (20" & 25" only, 400 W max) |

**LIGHT TRESPASS OPTIONS**

|          |   |
|----------|---|
| CL80x360 | Internal 80° Vert. x 360° Horiz. Lens Shielding                   |
| CL60x135 | Internal 60° Vert. x 135° Horiz. Lens Shielding                   |
| HSS      | House Side Shield (75° Standard) (External)                       |
| FL       | Flat clear glass lens (see ordering information for availability) |



**MP PLATE NOTES**

Provide plate as shown above or purchase plate from QL.  
 On existing poles with 2" tenon - use TPH adapter.



TPH



CL80x360 - Internal 80° Vert. x 360° Horiz. Lens Shielding



CL60x135 - Internal 60° Vert. x 135° Horiz. Lens Shielding