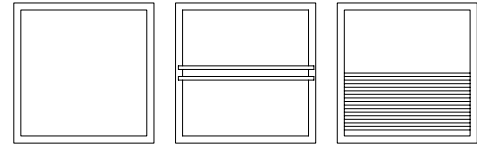


INSTALLATION SHEET

Safety, Warnings and Suggestions

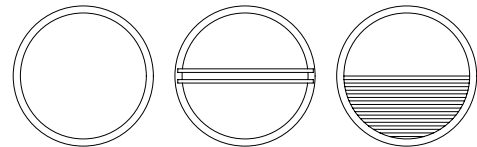
- ¹ **Care** should be taken not to position fixtures in locations where bare skin can come into contact with the potentially high temperatures on the lens.
- ² **Make** sure that electrical power is disconnected before any work is performed.
- ³ **All** gaskets and sealing surfaces must be kept clean during installation.
- ⁴ **All** wiring and installation should meet local, state and national electrical codes.
- ⁵ **Install** correct lamp type and wattage.



DLM-SO

DLM-SB

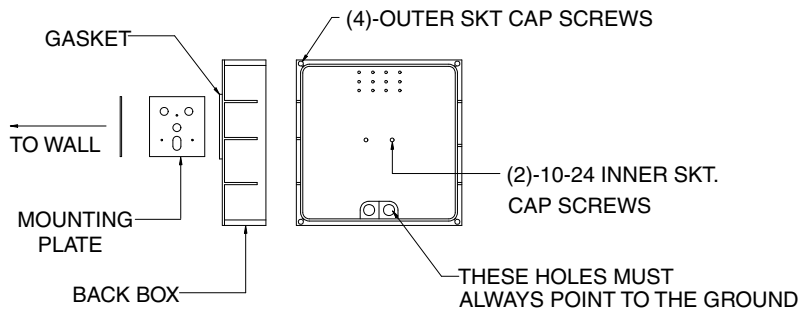
DLM-SE



DLM-RO

DLM-RB

DLM-RE



1. Remove the fixture from the box. Remove the lens and lens cover by loosening (4)-4mm cap screws. Remove the mounting plate from the back box by loosening (2)- 10-24 screws.
2. Secure the mounting plate to the wall or to the junction box with 8-32 screws, hardware by others. Reinstall the back box with the 10-24 screws provided-(See step 3,4 and 5).
3. Make power and ground connection using UL approved connectors at the Junction-box (J-box by others).
4. (LAMP INSTALLATION)
Install the correct lamp type and wattage.
5. Replace the lens and cover with the metric cap screws. NOTE: MAKE SURE BEFORE INSTALLING THE LENS, THAT THE GASKET IS PROPERLY SEATED